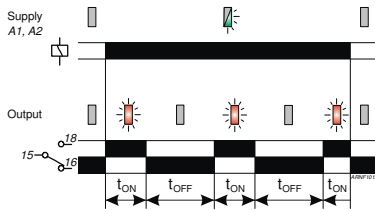




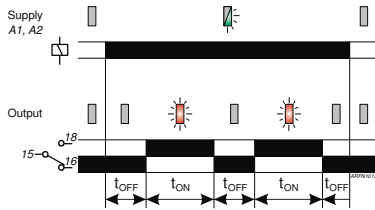
- ❑ ***NEW* 17.5mm DIN rail housing**
- ❑ **Microprocessor based**
- ❑ **Recycling "On / Off" function AN (or "Off / On" AF when external link fitted)**
- ❑ **Separate adjustments for "on" and "off" ranges**
- ❑ **7 Selectable time ranges (0.1 seconds – 100 hours)**
- ❑ **Fine adjustment of selected time range**
- ❑ **Multi-voltage input (12 – 230V AC/DC)**
- ❑ **1 x DPDT relay output 8A**
- ❑ **Green LED indication for supply / timing status**
- ❑ **Red LED indication for relay status**
- ❑ **Conforms to IEC 61812**

FUNCTION DIAGRAMS

Asymmetrical Recycling On / Off (AN)



Asymmetrical Recycling Off / On (AF) (terminals A1 and B1 linked)



TECHNICAL SPECIFICATION

Supply voltage U (A1, A2):	12 – 230V AC/DC			
Frequency range:	48 - 63Hz (AC supplies)			
Supply variation:	AC: +15/-10%	DC: +/-15%		
Overvoltage category:	III (IEC 60664)			
Rated impulse withstand voltage:	4kV (1.2/50µs) IEC 60664			
Power consumption (max.):	12V	24V	110V	230V
	AC: 0.6VA	0.8VA	1.6VA	6.8VA
	DC: 0.52W	0.48W	0.94W	1.9W

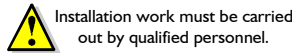
Timing functions (2):	Asymmetrical Recycling "On / Off" (AN)		
	Asymmetrical Recycling "Off / On" (AF) (A1 > B1 linked)		
Timing ranges (7):	Seconds:	Minutes:	Hours:
(applies to "tON" and "tOFF")	0.1 – 1	0.1 – 1	0.1 – 1
	1 – 10	1 – 10	1 – 10
			10 - 100

Reset time:	100mS
Accuracy:	± 1% of maximum full scale
Adjustment accuracy:	< 5% of maximum full scale
Repeat accuracy:	± 0.5% at constant conditions (IEC 61812)
Drift with temperature:	± 0.05% / °C
Drift with voltage:	± 0.2% / V
Power on indication / Timing ¹ :	Green LED
Relay status:	Red LED
Ambient temp:	-20 to +60°C
Relative humidity:	+95%
Output (15, 16, 18, 25, 26, 28):	DPDT relay
Output rating:	AC1 250V 8A (2000VA)
	AC15 250V 5A (no), 3A (nc)
	DC1 25V 8A (200W)

Electrical life:	≥ 150,000 ops at rated load
Dielectric voltage:	2kV AC (rms) IEC 60947-1
Rated impulse withstand voltage:	4kV (1.2/50µs) IEC 60664
Housing:	Orange flame retardant UL94 V0
Weight:	≈ 70g
Mounting option:	On to 35mm symmetric DIN rail to BS EN 60715 or direct surface mounting via 2 x M3.5 or 4BA screws using the black clips provided on the rear of the unit.
Terminal conductor size	≤ 2 x 2.5mm ² solid or stranded
Approvals:	Conforms to IEC 61812. CE, C-tick and RoHS Compliant. EMC: Immunity: EN 61000-6-2 (EN 61000-4-3 10V/m 80MHz - 2.7GHz) Emissions: EN 61000-6-4

INSTALLATION AND SETTING

- BEFORE INSTALLATION, ISOLATE THE SUPPLY.
- Connect the unit as required.
- If Asymmetrical Recycling "Off / On" is required, placed a link between terminals A1 and B1.



Setting the unit.

- Set the "tOFF" ④ and "tON" ⑤ "Range" selectors to the required position (depending on whether seconds, minutes or hours are required).
- Set the "Set %" adjustment for the "tOFF" ③ and "tON" ⑥ as required. The "Set %" is a % of the selected range, so 60% of the 1 – 10 hour range will give 6 hours.

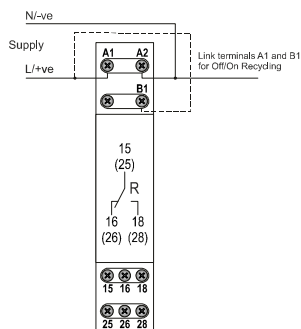
Applying power.

- Apply power and the green LED ① will start flashing to indicate timing is in progress.
- The red relay LED ② will illuminate to indicate the relay is the energised state when the "tON" delay is running.
- When the "tOFF" delay is running and relay is de-energised, the red LED will remain extinguished.

Note:

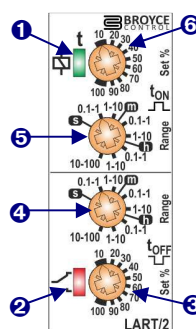
¹ In accordance with IEC 61812, the green LED is permitted to extinguish during a voltage dip or momentary interruption of the power supply providing the state of the output relay does not change. The dip / interruption duration and levels are defined in the product standard.

CONNECTION DIAGRAM



SETTING DETAILS

1. Power supply status / Timing (Green) LED
2. Relay output status (Red) LED
3. "tOFF" delay "Set %" adjustment
4. "tOFF" delay "Range" selector
5. "tON" delay "Set %" adjustment
6. "tON" delay "Range" selector



DIMENSIONS

